

WP2-12 12Volt 2Ah

Specifications

Nominal Voltage(V) **12V**

Nominal Capacity

20 hour rate	(0.1A	to	10.50V)	2Ah
10 hour rate	(0.19A	to	10.50V)	1.9Ah
5 hour rate	(0.34A	to	10.20V)	1.7Ah
1 C	(2A	to	9.60V)	1.13Ah
3 C	(6A	to	9.60V)	0.8Ah

Weight **Approx. 728g(1.60Lbs.)**

Internal Resistance (at 1KHz) **Approx. 57 mΩ**

Maximum Discharge Current for

5 seconds: **30A**

Charging Methods at 25°C(77°F)

Cycle use:

Charging Voltage **14.4 to 15.0V**

Coefficient -5.0mV/°C/cell

Maximum Charging Current : **0.6A**

Standby use:

Float Charging Voltage **13.5 to 13.8V**

Coefficient -3.0mV/°C/cell

Operating Temperature Range

Charge **-15°C(5°F) to 40°C(104°F)**

Discharge **-15°C(5°F) to 50°C(122°F)**

Storage **-15°C(5°F) to 40°C(104°F)**

Charge Retention (shelf life) at 20°C(68°F)

1 month **92%**

3 month **90%**

6 month **80%**

Case Material **ABS UL94 HB**

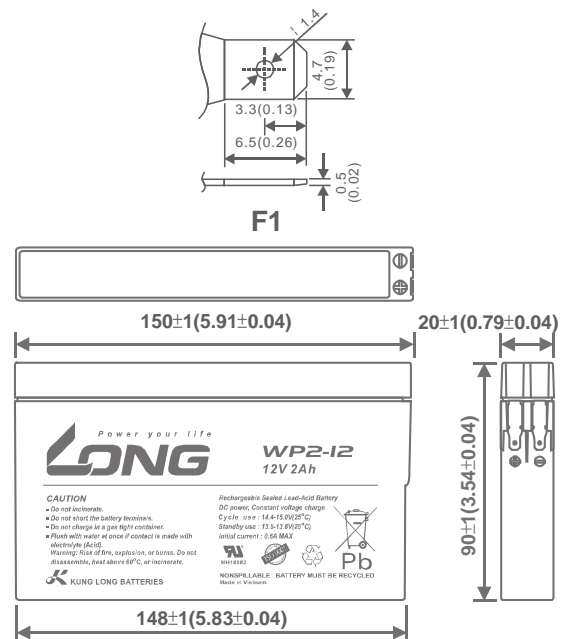
Option: Flammability resistance of (UL94 V-0)

Terminal **F1**

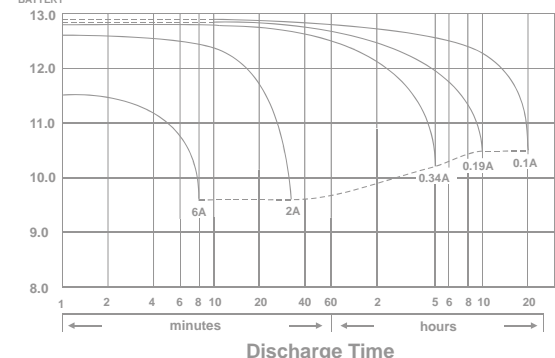


Dimensions

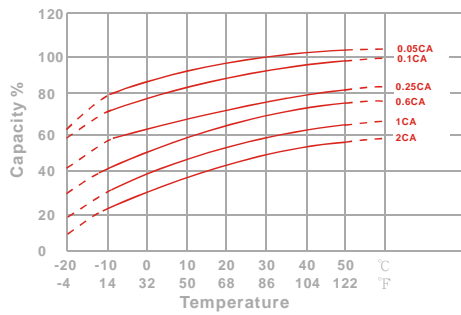
mm(inch)



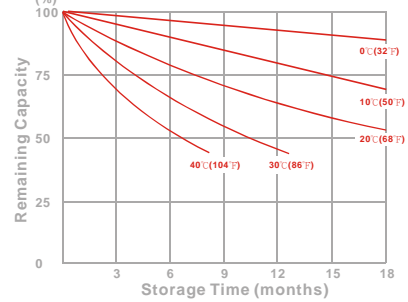
(V) FOR 12V BATTERY Discharge Time VS. Discharge Current (25°C)



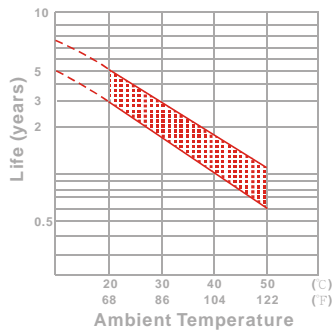
Effect of Temperature on Capacity 25°C(77°F)



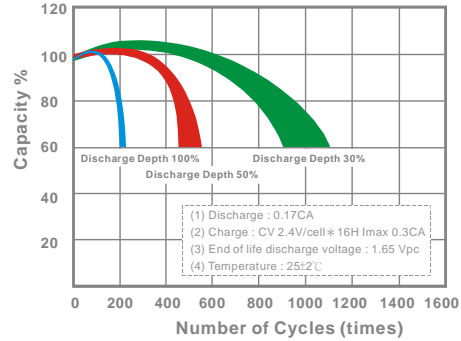
Capacity Retention Characteristic



Trickle (or float) Service Life



Cycle Service Life



- PERFORMANCE DATA

Discharge Rates in Watts to Various End Voltages at 25°C(77°F)

End Voltage		1.85V	1.80V	1.75V	1.70V	1.67V	1.65V	1.60V
Time								
5	min	9.30	10.6	11.6	12.4	12.8	13.2	13.7
10	min	6.07	6.98	7.78	8.32	8.53	8.75	9.10
15	min	5.30	5.90	6.25	6.52	6.62	6.73	6.87
30	min	3.45	3.72	3.92	4.07	4.12	4.18	4.25
60	min	2.10	2.22	2.30	2.37	2.38	2.42	2.45
120	min	1.31	1.39	1.42	1.45	1.46	1.47	1.49
180	min	0.922	0.978	1.01	1.03	1.04	1.05	1.06
240	min	0.720	0.762	0.788	0.810	0.818	0.827	0.837
300	min	0.615	0.647	0.668	0.685	0.692	0.698	0.707
600	min	0.357	0.375	0.390	0.400	0.403	0.408	0.413
1200	min	0.187	0.197	0.203	0.208	0.210	0.212	0.213

- Discharge Rates in Amperes to Various End Voltages at 25°C(77°F)

End Voltage		1.85V	1.80V	1.75V	1.70V	1.67V	1.65V	1.60V
Time								
5	min	5.08	5.84	6.48	7.12	7.36	7.68	8.12
10	min	3.41	4.01	4.33	4.62	4.73	4.86	5.07
15	min	2.59	3.01	3.25	3.44	3.51	3.59	3.68
30	min	1.67	1.86	2.02	2.15	2.21	2.26	2.32
60	min	1.09	1.16	1.20	1.23	1.24	1.25	1.26
120	min	0.667	0.709	0.721	0.730	0.733	0.737	0.742
180	min	0.458	0.487	0.500	0.509	0.512	0.516	0.521
240	min	0.365	0.381	0.392	0.401	0.404	0.408	0.412
300	min	0.316	0.326	0.334	0.340	0.342	0.345	0.348
600	min	0.183	0.189	0.194	0.198	0.200	0.201	0.203
1200	min	0.096	0.099	0.101	0.102	0.102	0.103	0.104

All data on the spec. sheet is an average value:

The tolerance range : $X < 6\text{min}$ (+15%~-15%), $6\text{min} \leq X < 10\text{min}$ (+12%~-12%), $10\text{min} \leq X < 60\text{min}$ (+8%~-8%), $X \geq 60\text{min}$ (+5%~-5%)