

12V 24V

6250A

GB500+



COMMERCIAL-GRADE LITHIUM JUMP STARTER.™

45L+

GAS AND DIESEL.

It's commercial in every way. It jump starts almost every type of vehicle and equipment, including semi-trucks (up to class 8), motorhomes, coaches, buses, mining, agricultural, construction, and vocational equipment - 6, 8, 12, and 16 cylinder - and more.



60-SECOND TIMEOUT.

A 60-Second Countdown will be initiated as soon as a battery is detected. After 60 seconds has elapsed, the jump starting function will be disabled.

2.0

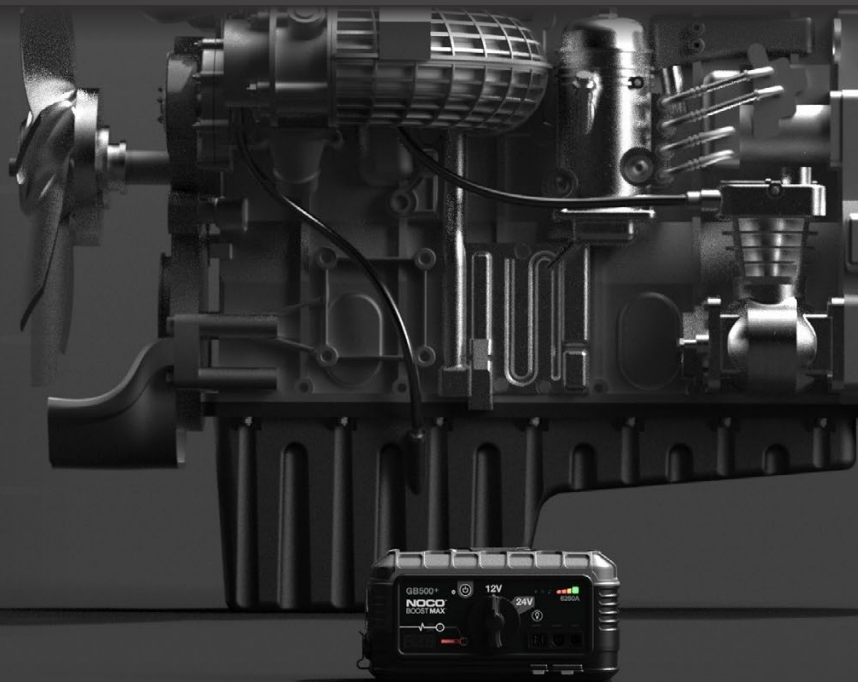
ULTRASAFE 2.0.

Safe and easy to use battery jump starter pack without the worry of incorrect connections or sparks. Safely connect to any 12-volt or 24-volt battery with our mistake-proof design featuring spark-proof technology and reverse polarity protection.

2200 LUMENS

MULTI-FUNCTIONAL.

It's not just a lithium jump starter but also a portable power bank for recharging smartphones, tablets, and other USB devices, with an ultra-bright 2200-lumen LED flashlight with seven light modes, including emergency strobe and SOS.



LEAD ACID



AUTO | MARINE | RV | POWERSPORT | LAWN & GARDEN



INTERFACE

POWER LED

The charger is in standby or the battery voltage is too low for the charger to detect.



ERROR

Illuminates Red if reverse polarity is detected. Blinks "on" and "off" in various sequences (from 1 to 6 blinks) to convey error conditions.



HOT/COLD INDICATOR

Illuminates solid or flashes blue when internal temperature is too low. Illuminates solid or flashes red when internal temperature is too high.



CHARGE LED

Indicates the charge level of the internal battery.



BOOST LED

Illuminates white when boost is active. The LED flashes white when manual override feature is active.



VOLTMETER

Built-in voltmeter displays the voltage of the vehicle's battery for enhanced diagnostics and troubleshooting.



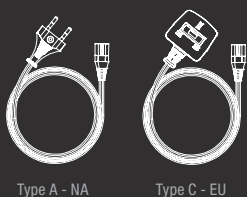
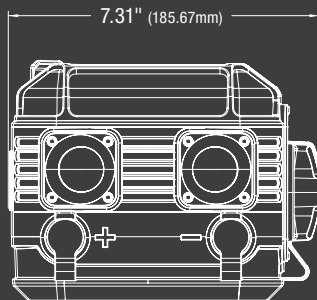
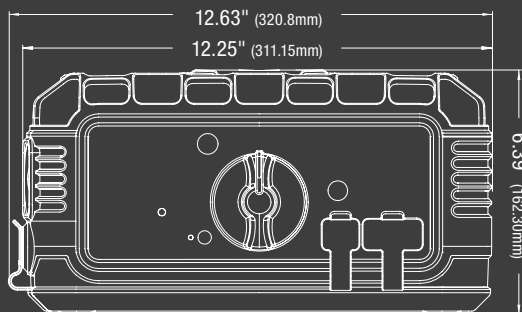
USB & 12V POWER.

Charge virtually any USB device, including smartphones and tablets. Remote power for a wide range of 12V devices including tire pumps, inverters, lights, phone chargers and more.

RECHARGE TIME: 6-8hr

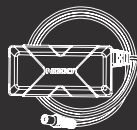
From 0-100% 4X Faster. Charge directly from the vehicle's 12-volt auxiliary port or the XGC4 4-Amp Power Adapter to recharge it's 266 watt-hours lithium-ion battery in 6-8 hours.

WHAT'S IN THE BOX

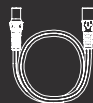


Type A - NA

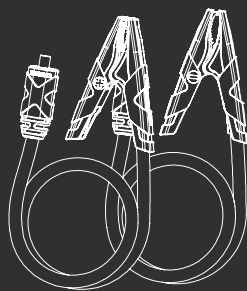
Type C - EU



XGC4 Adapter



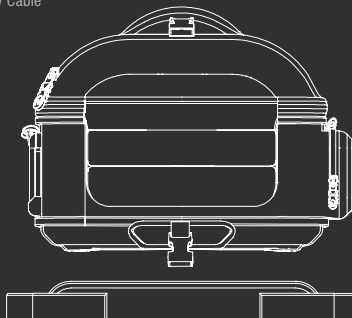
12V Cable



Clamps



User Guide



EVA Case

*Accessories not to scale with GB500+

TECHNICAL SPECIFICATIONS

INTERNAL BATTERY:	266 WH Lithium Ion
PEAK CURRENT RATING:	6250A
OPERATING TEMPERATURE:	-22°F to +122°F (-30°C to +50°C)
CHARGING TEMPERATURE:	32°F to +104°F (0°C to +40°C)
12V (INPUT):	12V, 5A
12V (OUTPUT):	12V, 15A MAX
USB (OUTPUT):	Dual 5V, 2.1A
HOUSING PROTECTION:	IP65 (w/Ports Closed)
COOLING:	Natural Convection
WEIGHT:	19 lbs (6.67kg)
VOLUMETRICS:	<p>Inner Carton: Dimensions: N/A Weight: N/A UPC: 046221170313</p> <p>Master Carton: Dimensions: 20.08" x 14.25" x 12.40" Weight: 21.6lbs Quantity: 1 UCC: 00046221170313</p> <p>Units Per Pallet: 45 Units</p>

