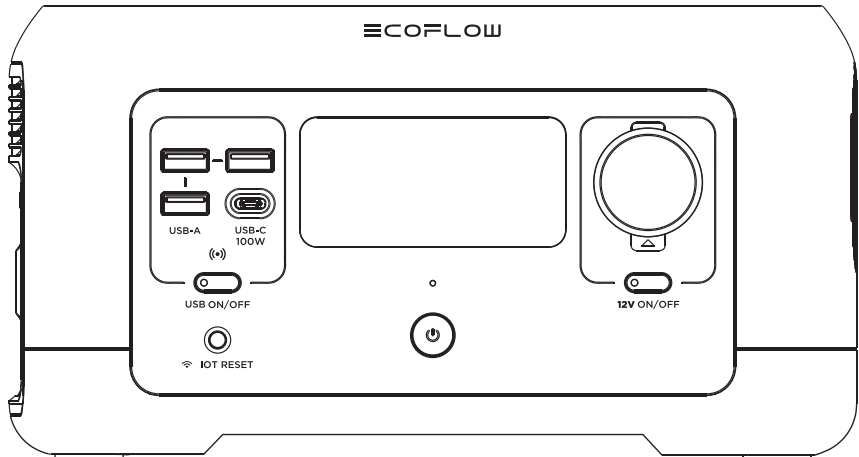


ECOFLOW

EcoFlow RIVER mini | User Manual



Wireless Version

1. Specifications

General Info

Net weight	Approximately 2.8Kg
Dimensions	24.8 x 13.9 x 13.2 cm
Capacity	210Wh, 25.2V
Wi-Fi	Support

Output Ports

AC (X2)	Pure sine wave, 300W total (surge 600W), 230V-50/60Hz
Maximum power devices supported by X-Boost	600W
USB-A (x3)	5V = 2.4A
USB- C (x1)	5/9/12/15/20V=5A, 100W Max
Car Charger	12.6V=10A, 126W Max
Wireless Output	15W Max

Input Ports

AC input power	X-Stream Charge 300W Max
AC input voltage	220-240V-50Hz/60Hz, 2.8A Max
Solar charging input	11-39V=8A, 100W Max
Car charging input	Support 12V/24V battery, with maximum input current 8A and maximum power 100W

Battery Info

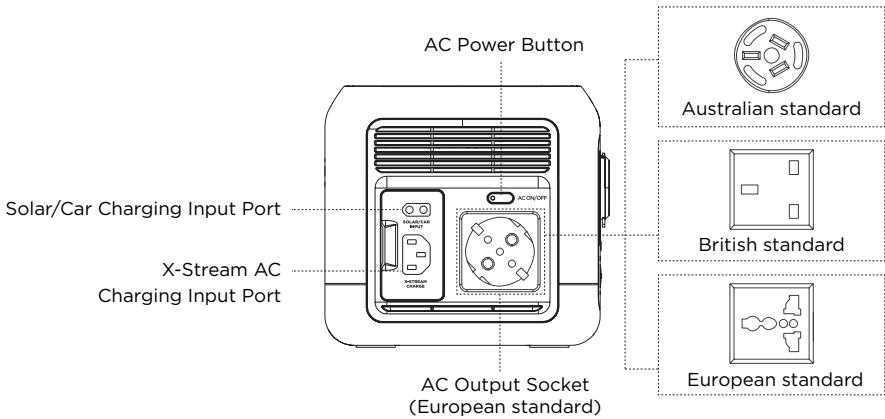
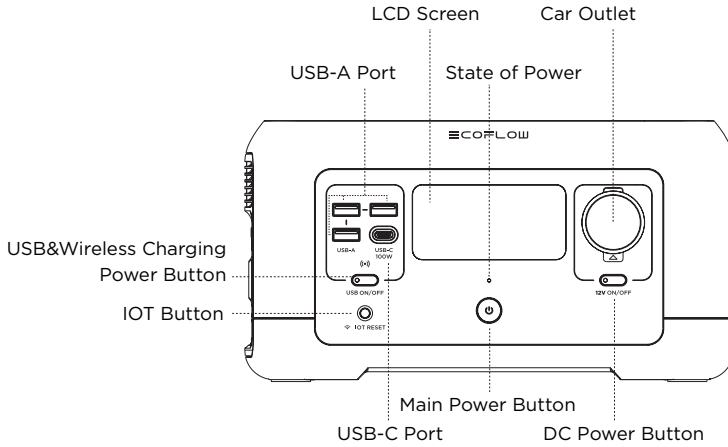
Cell Chemistry	NCM ternary lithium battery
Cycle life	The remaining capacity is still above 80% after 500 cycles
Protection type	High-temperature protection, low-temperature protection, over-discharge protection, over-charge protection, overload protection, short-circuit protection, and over-current protection

Environmental Operating Temperature

Optimal Operating Temperature	20°C-30°C(68°F-86°F)
Discharge Temperature	-20°C-45°C(-4°F-113°F)
Charge Temperature	0°C-45°C(32°F-113°F)
Storage Temperature	-20°C-45°C(-4°F-113°F)

3. Getting Started

3.1 Product Details



*AC socket adapts according to local standards

