

GENERAL FEATURES

- Longer cycle life: special paste formula, over dimensioned negative plate, optimized manufacturing process, additives for deep discharge.
- Special separators boost up the battery internal performance.
- Using oxygen recombination technology, maintenance-free and little water losing.
- ABS material: enhanced strength of the battery container. (Flame-retardant ABS is optional).
- Designed to have a lifespan of 12 years for float charging at 25°C



APPLICATIONS

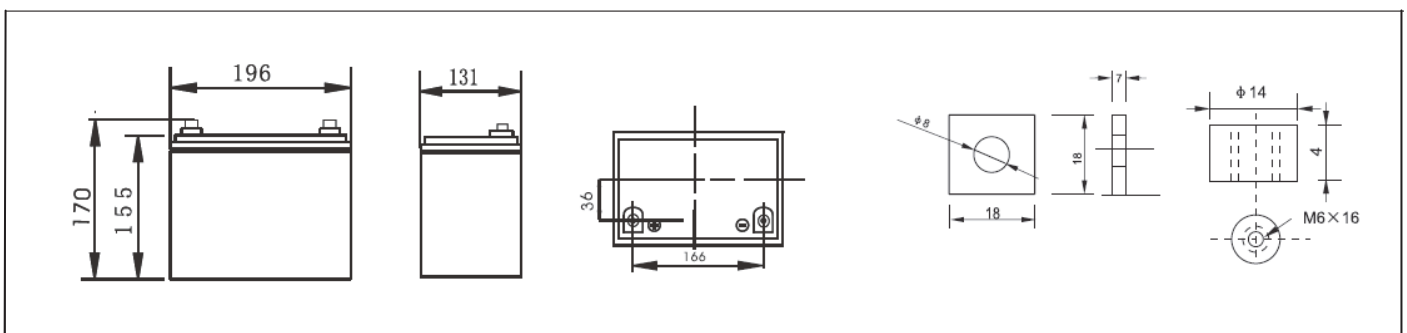
- Electric tools
- Vehicle in place of walking
- Lawn mowers
- Golf trolleys and golf cart
- Power system of special network or local area network
- Electric toys
- Railway and marine systems
- Fire alarms
- Solar and wind power system
- Electric wheelchairs
- Medical equipment



SPECIFICATIONS

Model	Nominal Voltage	12V		
	Rated Capacity (20Hr rate)	33Ah		
Dimensions	Length	Width	Height	Total Height
	196mm (7.72")	131mm (5.16")	170mm (6.69")	170mm (6.69")
Weight	Approx. 9.9 0kg(23.15lbs) ± 3%			
Capacity @25°C (77°F)	10 Hour (3.3A,10.8V)	5 Hour (5.6A,10.5V)	3 Hour (8.3A,10.2V)	1 Hour (18.2A,9.6V)
	33.0Ah	28Ah	24.8 Ah	18.2Ah
Internal Resistance	Fully charged at 25°C, approx. 14.0mΩ			
Max. Discharge current	330A (5 Sec.)			
Capacity Affected by Temp. (20Hr)	40°C (104°F)	25°C (77°F)	0°C (32°F)	-15°C (5°F)
	102%	100%	85%	65%
Self Discharge Rate @25°C (77°F)	After 3 months Storage	After 6 months Storage	After 12 months Storage	
	91%	82%	64%	
Charge Method	Cycle Use		Float Charging	
	14.4-14.7V (Initial current less than 13.2A) @25°C (77°F)		13.5-13.8V@25°C (77°F)	

DIMENSIONS & TERMINALS

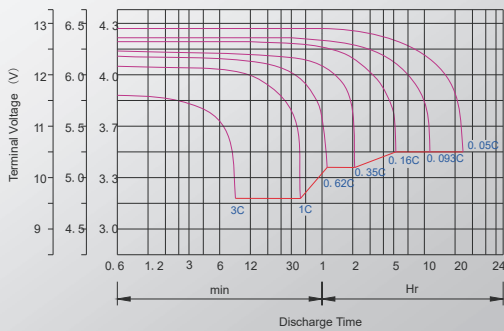


PERFORMANCE CHARACTERISTICS

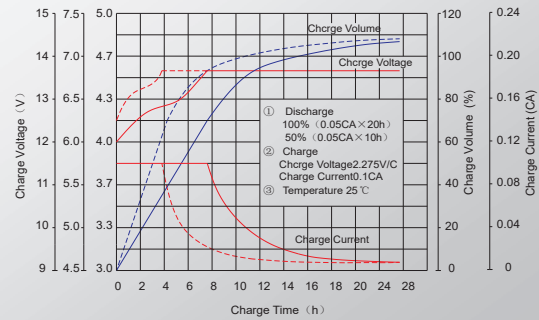
Constant Current (Amp.) and Constant Power (Watt) Discharge Table @25°C (77°F)

Cell Voltage	Time	5min	10min	15min	30min	1hr	2hr	3hr	4hr	5hr	8hr	10hr	20hr
9.60V	A	92.00	60.00	49.00	33.00	17.00	10.00	7.00	6.00	5.00	3.00	3.00	2.00
	W	945.00	645.00	522.00	351.00	185.00	110.00	82.00	64.00	54.00	39.00	35.00	19.00
10.20V	A	89.00	55.00	46.00	31.00	16.00	10.00	7.00	6.00	5.00	3.00	3.00	2.00
	W	948.00	608.00	513.00	350.00	182.00	109.00	82.00	64.00	53.00	38.00	35.00	18.00
10.50V	A	86.00	49.00	40.00	29.00	16.00	9.00	7.00	6.00	5.00	3.00	3.00	2.00
	W	937.00	554.00	457.00	336.00	181.00	108.00	81.00	64.00	53.00	38.00	34.00	18.00
10.80V	A	83.00	46.00	37.00	27.00	15.00	9.00	7.00	5.00	4.00	3.00	3.00	2.00
	W	928.00	529.00	429.00	312.00	176.00	107.00	80.00	64.00	53.00	37.00	34.00	18.00
11.10V	A	80.00	43.00	34.00	24.00	15.00	9.00	7.00	5.00	4.00	3.00	3.00	1.00
	W	907.00	408.00	400.00	281.00	172.00	105.00	78.00	63.00	52.00	37.00	33.00	18.00

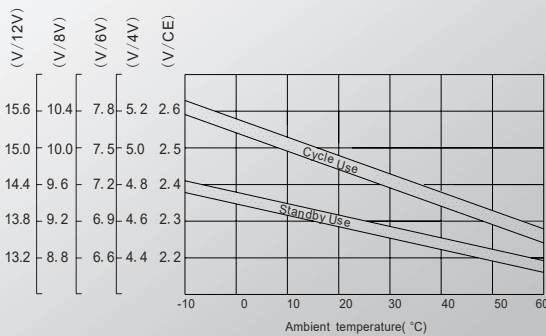
DISCHARGE CHARACTERISTICS



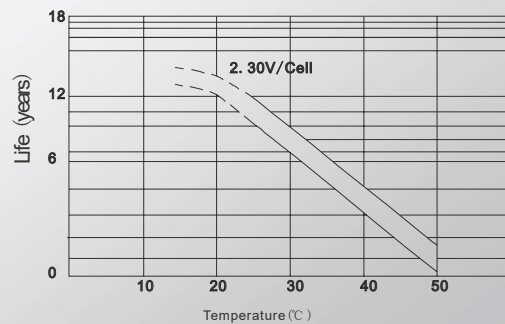
CHARGING CHARACTERISTICS (STANDBY)



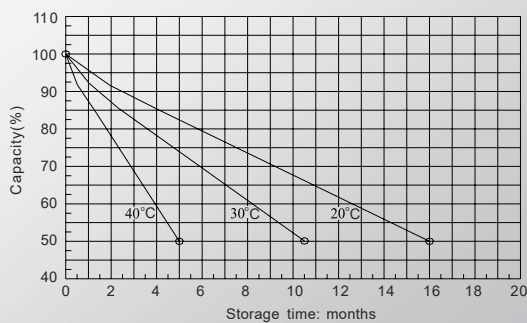
CHARGING VOLTAGE V.S. TEMP.



EFFECT OF TEMP. ON LONG TERM FLOAT DESIGNED LIFE



SELF DISCHARGE CHARACTERISTICS



CYCLE LIFE IN RELATION TO THE DEPTH OF DISCHARGE

